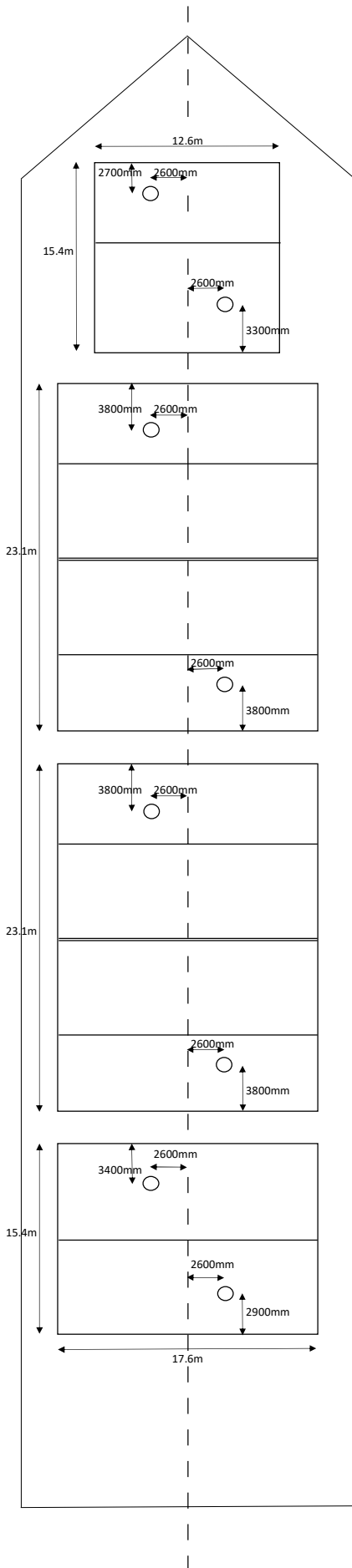


M Class



Loading Hole Dimensions

