

# Arklow Spirit

## General Ship's Particulars



### Class Notation:

**I, Hull Mach, Unrestricted navigation, Bulk Carrier CSR CPS (WBT), BC-A (Holds 2+4 may be empty, ESP, Grab (20), AUT-UMS, MON-SHAFT, ALP, INWATER SURVEY, CLEANSHIP**

Port of Registry	Yard	Year of Build	Class	P&I
<b>ARKLOW</b>	<b>Daesun Shipbuilding &amp; Engineering</b>	<b>2013</b>	<b>BUREAU VERITAS</b>	<b>NORTH OF ENGLAND</b>
Call Sign	IMO Number		Class Number	Official Number
<b>EI-OF-4</b>	<b>9649536</b>		<b>21949K</b>	<b>404744</b>
Email	Contact Number		Sat Phone	MMSI
<a href="mailto:ASPIRIT@ARKSHIP.IE">ASPIRIT@ARKSHIP.IE</a>	<b>+353 87 138 8563</b>		<b>+87 077 324 0339</b>	<b>250002887</b>

Length OA	Length BP	Breadth Mid	TPC
<b>182.00m</b>	<b>177.52m</b>	<b>30.00m</b>	<b>49.4t</b>
Summer Load Draft	Summer Deadweight	Winter Load Draft	Winter Deadweight
<b>10.00m</b>	<b>34,905t</b>	<b>9.798m</b>	<b>33,905t</b>
GT/NT	Min air draft	At max Ballast draft	Min coaming ht above waterline(midship) in full ballast condition
<b>22,868t/11,648t</b>	<b>36.7m</b>	<b>6.3m</b>	<b>10.7m</b>
Ballast excl/incl hold(#3)	Ballast rate p/h (x2)	VLSFO/MGO @ 90%	Fresh water
<b>13,425t/ 23,374t</b>	<b>800m3/hr</b>	<b>1140t/170t</b>	<b>230t</b>

Hold Capacities	No.1 Hold	No. 2 Hold	No.3 Hold	No.4 Hold	No. 5 Hold	Total
Grain M <sup>3</sup>	7587.3	10056.3	9706.7	10070.7	9529.9	<b>46951.0</b>
Grain Ft <sup>3</sup>	267930.3	355118.1	342772.6	355626.6	336529.4	<b>1657980.6</b>
Bale M <sup>3</sup>	7103.1	9648.47	9334.8	9661.4	9209.7	<b>44957.5</b>
Bale Ft <sup>3</sup>	250831.8	340716.4	329639.8	341173.0	325222.1	<b>1587484.2</b>
Hatch Dimensions	15.2m x 14.8m		20.0m x 20.4m			
Hatch Type	Macgregor Folding type	Cranes	4 x MacGregor Electric			
<b>All holds are appendix B fitted. Mechanical ventilation-6 changes/hr. Maximum load on tank top: 25t/m<sup>2</sup></b>						

### Speed and Consumption per day (w.o.g)

Not Scrubber fitted  
Max 0.5% sulphur content

Ballast	Abt. 11.0kts on abt. 15t VLSFO/MGO	Abt. 12.5kts on abt. 18t VLSFO/MGO	Abt.14.0kts on abt. 23t VLSFO/MGO
Laden	Abt. 11.0kts on abt. 17t VLSFO/MGO	Abt. 12.5kts on abt. 19t VLSFO/MGO	Abt. 14.0kts on abt. 24t VLSFO/MGO
In Port (Idle)	<b>3t MDO/IFO</b>	<b>In port with cranes</b>	<b>4.0t MDO/IFO</b>

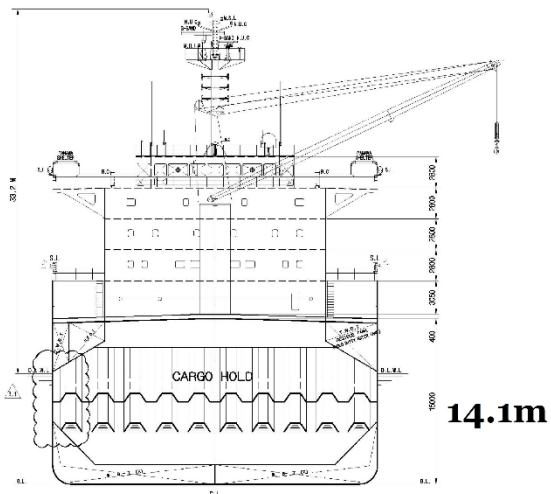
### Other

Co2 Fire Suppression in Cargo Holds	Mewis Duct	Australian Ladders Fitted	BWTS
-------------------------------------	------------	---------------------------	------

# Arklow Spirit

## General Ship's Particulars

**Min Crane Outreach: 4m**  
**Max Crane Outreach: 26m**



**14.1m**

MIDSHIP

**20m**

PROFILE

