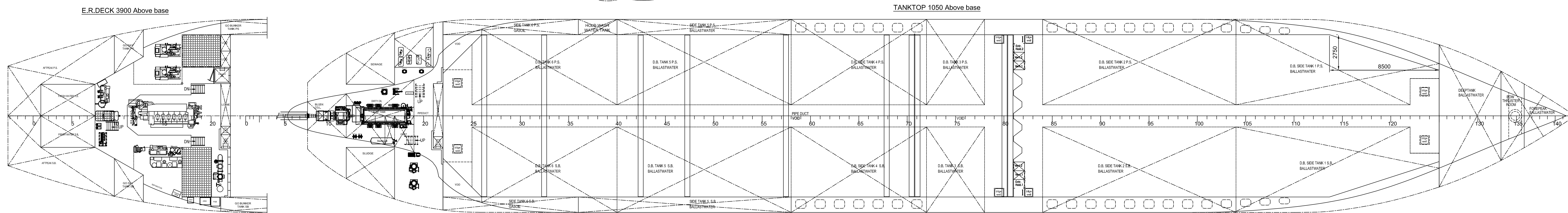
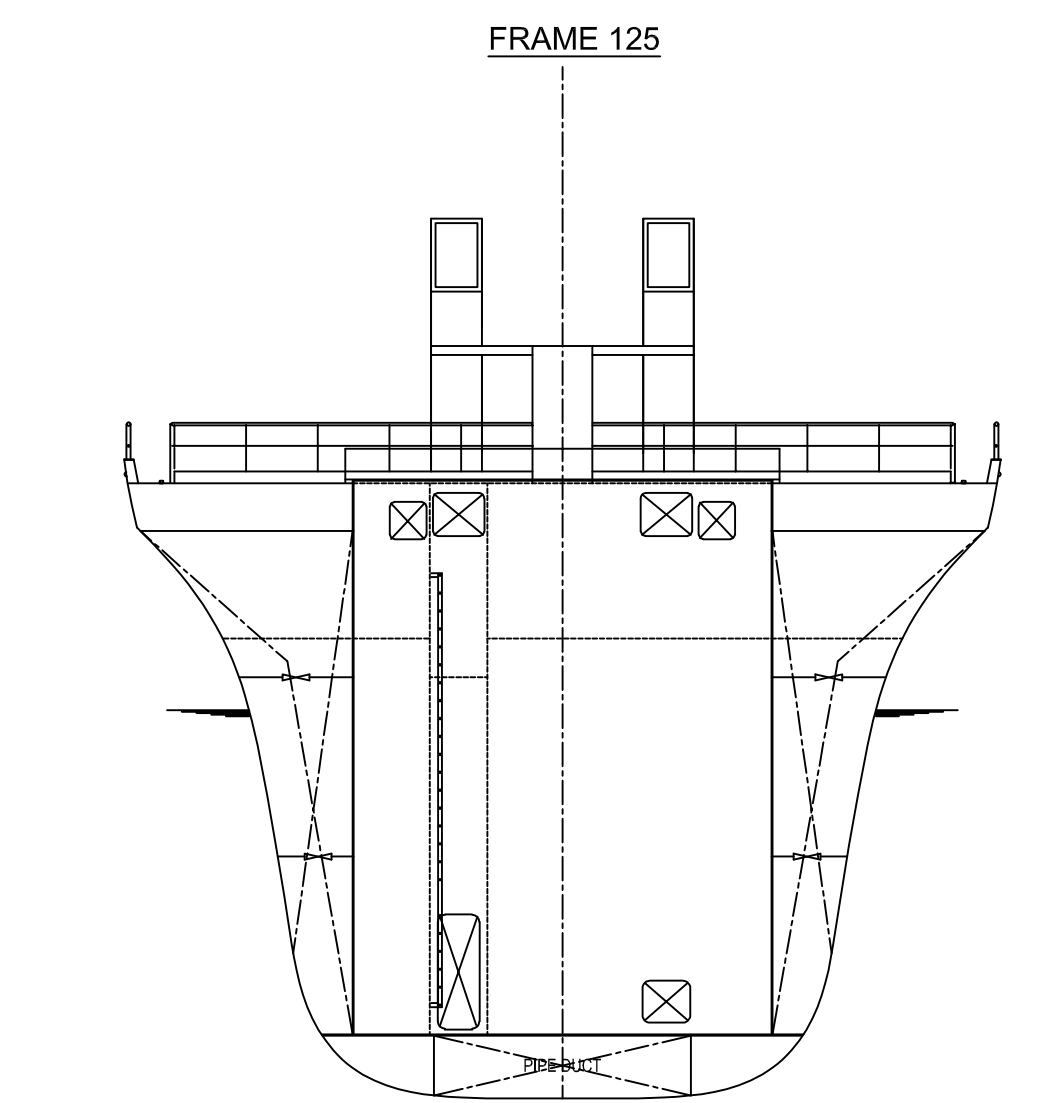
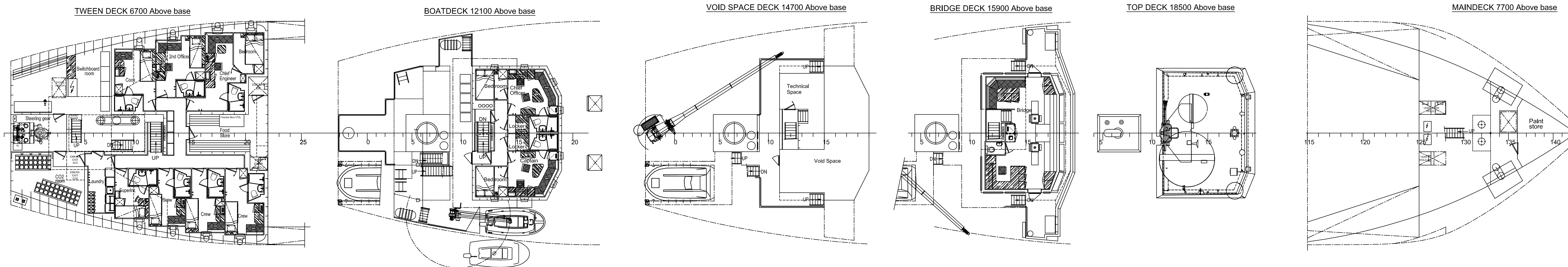
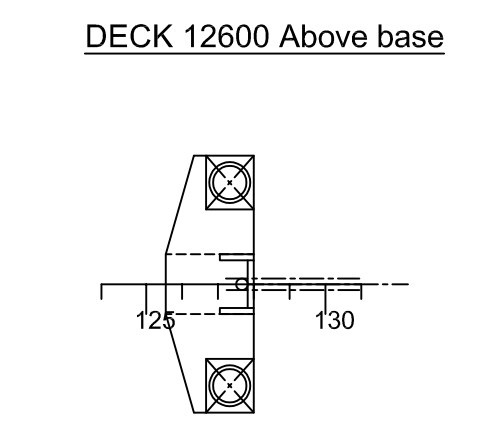
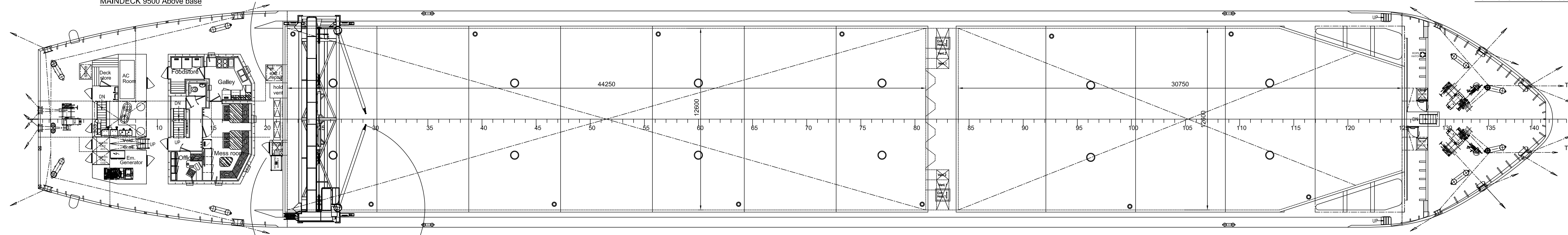
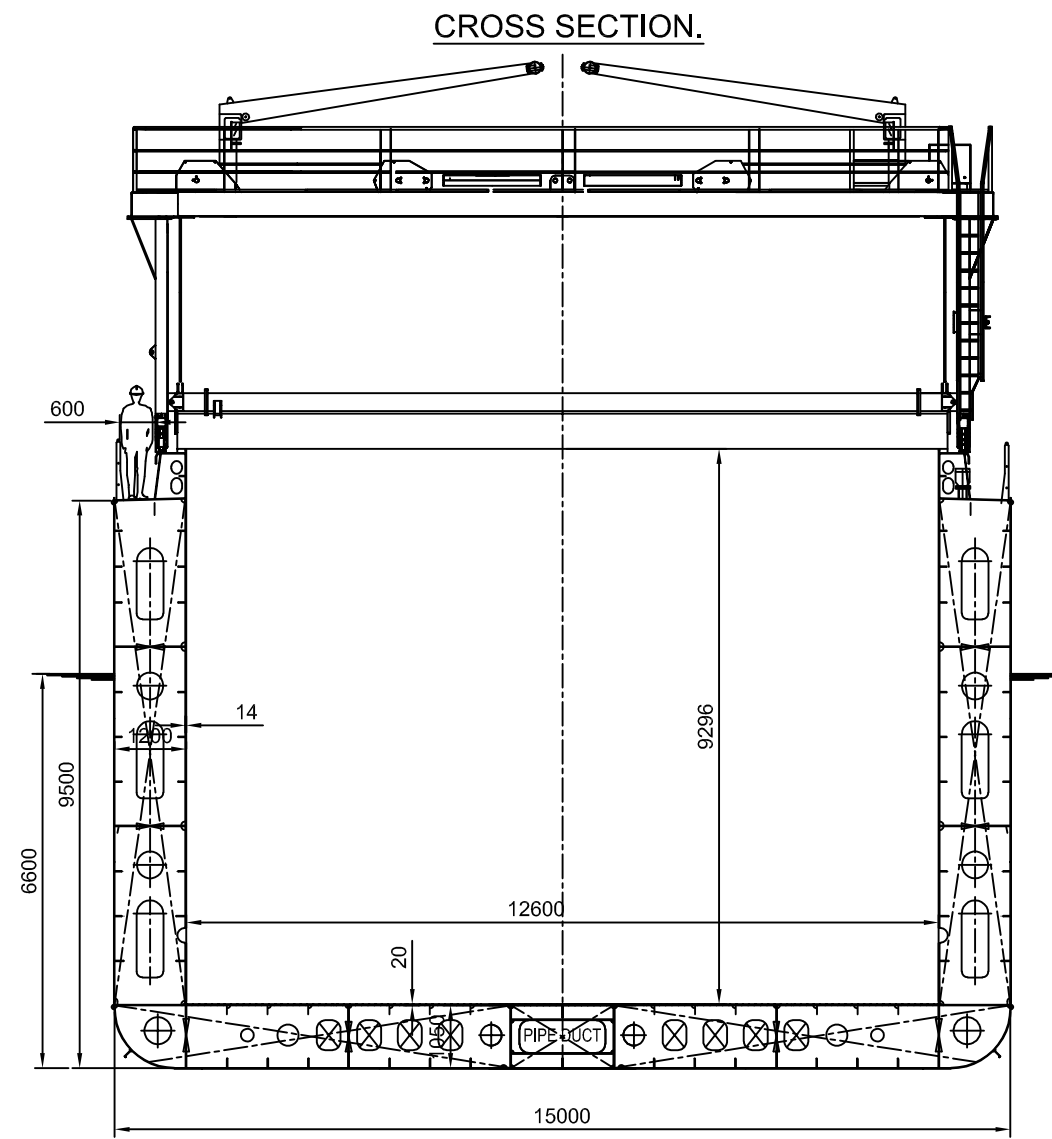
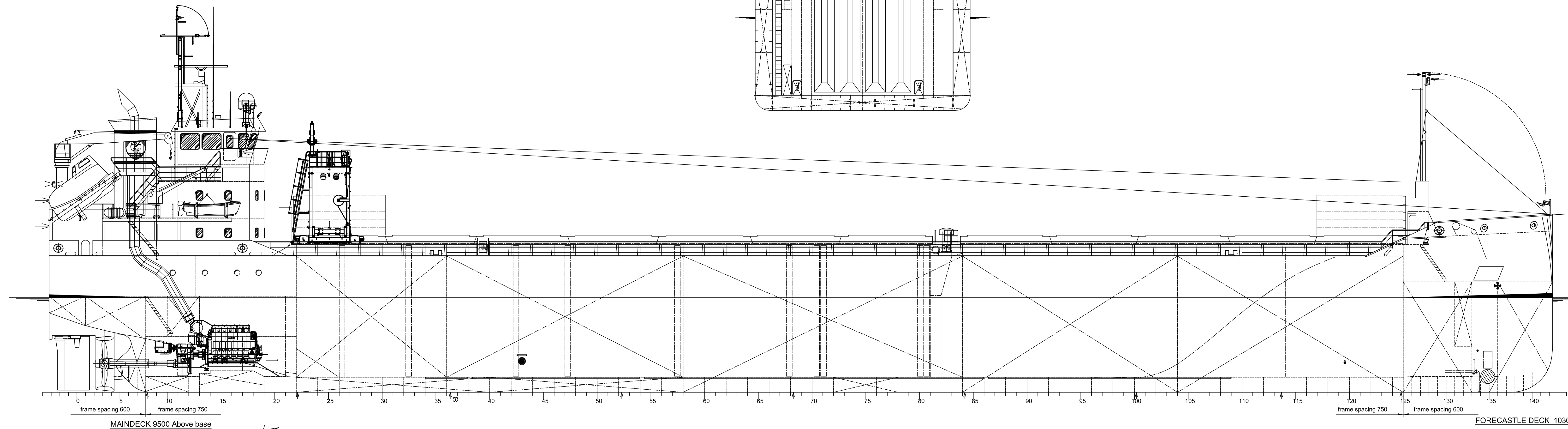
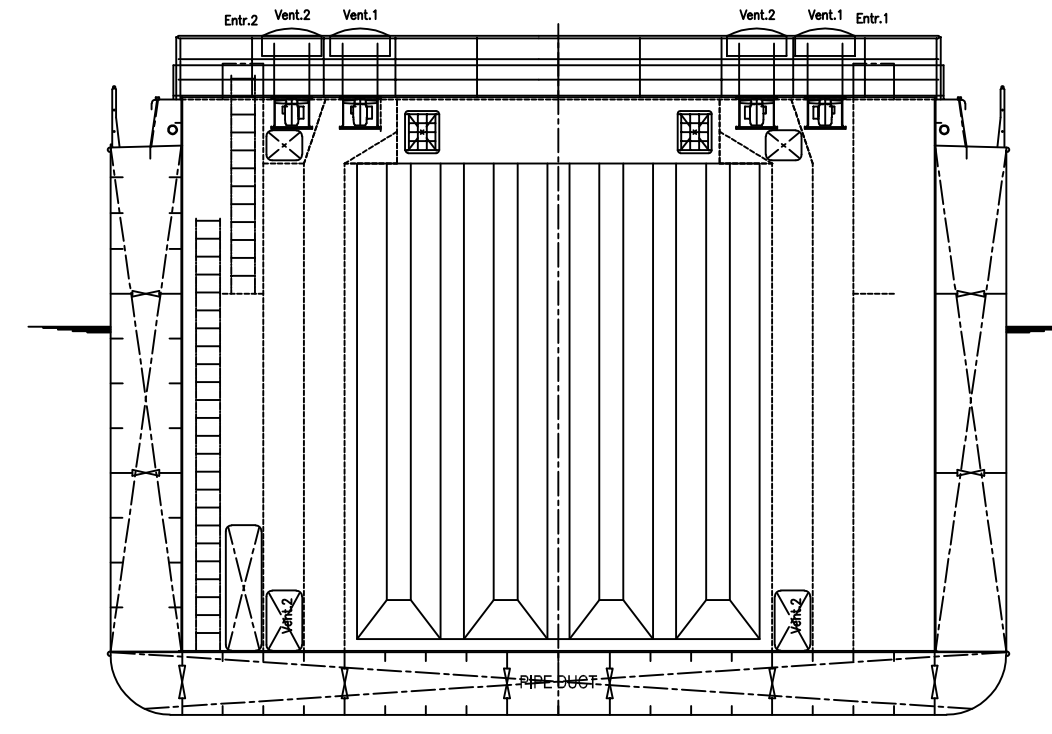


FRAME 81



**MAIN PARTICULARS**

Length over all	104.93 m.
Length between perpendiculars	102.98 m.
Breadth moulded	15.00 m.
Depth	9.50 m.

Design draught	abt. 6.60 m.
* Deadweight	abt. 6800 ton
* Hold capacity	abt. 310.000 cbft.
Tanktop area	933 m <sup>2</sup>
Tonnage (acc. conv.1969 )	abt. 4145 GT

Tank capacities :

Gasoil bunker	abt. 203 m <sup>3</sup>
Fresh water	abt. 49 m <sup>3</sup>
Ballastwater	abt. 2564 m <sup>3</sup>

Main Engine Mak 6M25 tier II 1740 kW  
 Trial Speed Loaded abt. 11.6 Kn

\* = Grainbulkheads not on board

PROJECT NO. DRAWING NO. SHEET NO.	DESCRIPTION General Arrangement 6800 Dwt	DATE 27-02-2020	DRAWING NUMBER <b>821-000-001</b> / D	SCALE 1:125
---	---	--------------------	--	----------------

ROYAL BODEWES  
 Royal Bodewes  
 Werfkaai 22, 9601 LG Hogeveen  
 The Netherlands  
 Phone: +31 598 393131  
 E-mail: info@royalbodewes.com  
 Web: www.royalbodewes.com